

# DESERT CHAIR

PRODUCT INFO



ferm  
L I V I N G





---

## *Desert Chair* SERIES

A Modernist chair with a graceful profile, Desert Chair is crafted from a tubular powder-coated steel frame in colours Black or Cashmere, holding an interchangeable woven textile seat made from recycled plastic bottles, available in four designs: Soil, Stripes, Shapes or Solid Cashmere. Suitable for use both indoors and out, the lounge design invites relaxation. Just sit back and enjoy.

### PRODUCT INFO

**Product type:** Lounge chair for indoor and outdoor use.

**Country of origin:** Europe

**Weight:** 7 kg

**Design:** ferm LIVING

**Assembly:** Content of the box:

- 1 x frame
- 1 x seat
- 2 x bars
- 4 x screws
- 1 x hex key
- Assembly manual

**Step-by-step:**

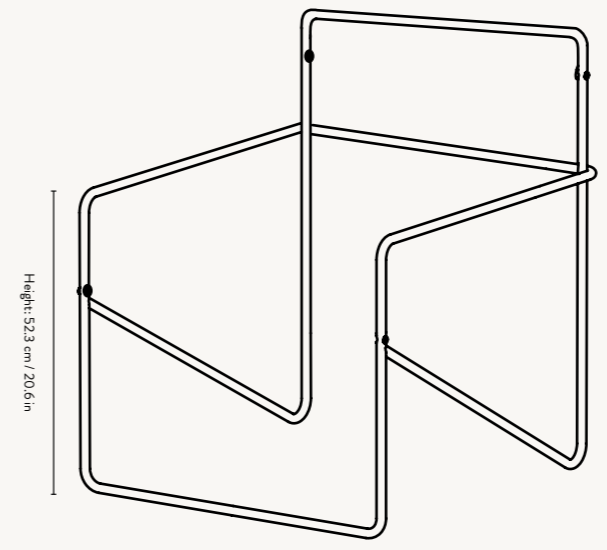
1. Insert bars in the seat.  
Please make sure to flip the motif on the seat according to your preference.
2. Fasten the bars with the four screws included.

After three months please check if the screws need to be tightened.

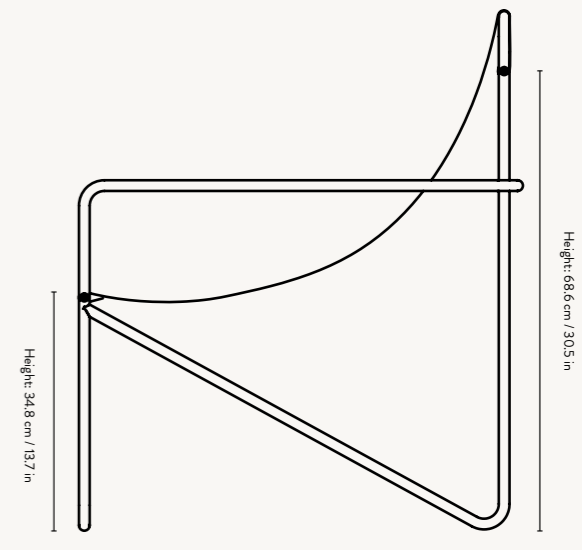
**Care instructions:** Seat: 30°C gentle wash. Dry flat.

---





Width: 63 cm / 24.8 in



Depth: 66 cm / 26 in

PRODUCTS WOVEN OUT OF RECYCLED PLASTIC BOTTLES

We are getting used to seeing images of plastic washing up on shores and turning into mountains of trash everywhere in the daily news. With a problem this big, it calls for clever solutions. Because plastic can be more than waste: With the help of specialized technology, we have created a series of textiles made entirely from used plastic bottles that we use for our Desert Chair. This way, you get incredibly durable textiles while helping clean up the oceans. Seats, rugs, cushions, and mats made from plastic may not initially sound like you get textiles with a soft, lovely touch and feel. But the Desert Chair won't leave you longing for virgin wool. Not only is it practical, easily cleaned, and suitable for outdoor use, it also feels just as lovely as any other rug that comes your way. Turning plastic bottles into PET-yarn, from which you can weave, has five steps: Collecting bottles, crushing bottles and compressing them into compact entities, converting the compressed bottles into small chips, processing the chips in carding machines, and finally, you have a material you can spin into yarns.

SHAPE



SOLID



SOLID



STRIPED








NEW



 = 53



1103562861  
Shape



1103572862  
Soil




1103582863  
Solid



1103592864  
Stripe

NEW



 = 53



1103602865  
Shape



1103612866  
Soil



1103622867  
Solid



1103632868  
Stripe

#### DESERT CHAIR - BLACK

Size: W: 63 x H: 77.5 x D: 66 cm  
W: 24.8 x H: 30.5 x D: 26 in  
Material: Powder coated steel frame  
Seat: Woven 100 % recycled polyester  
made from 53 plastic bottles  
Care: Seat: 30°C gentle wash. Dry flat  
Info: Removable seat. Hand-woven  
The chair is suitable for outdoor use  
Net. weight: 7 kg  
Packsize: 1

Recommended retail price  
DKK 1,899  
SEK 2,749  
NOK 2,499  
EUR 255  
GBP 229  
USD 345

#### DESERT CHAIR - CASHMERE

Size: W: 63 x H: 77.5 x D: 66 cm  
W: 24.8 x H: 30.5 x D: 26 in  
Material: Powder coated steel frame  
Seat: Woven 100 % recycled polyester  
made from 53 plastic bottles  
Care: Seat: 30°C gentle wash. Dry flat  
Info: Removable seat. Hand-woven  
The chair is suitable for outdoor use  
Net. weight: 7 kg  
Packsize: 1

Recommended retail price  
DKK 1,899  
SEK 2,749  
NOK 2,499  
EUR 255  
GBP 229  
USD 345





## *Life is full of contrasts*

As we navigate expectations and dreams in the search for meaning and comfort, we long for a balanced life with room for chaos and calm, moments of reflection and times of joy. A place where we can be ourselves, realise the true value of things and feel at home.

Based on a passion for authentic design and clear functionality, we challenge ourselves to shape the future and take pride in creating products that help you balance the contrasts of life.

Our soft forms, rich textures and deep colours allow you to create an authentic and composed atmosphere, while avant-garde shapes, striking patterns and curious details add a touch of the unexpected.

From our base in Copenhagen, we work with artisans around the world, fusing our Scandinavian mindset with global skills and traditions. We take our responsibility to people and the planet seriously and expect the same of our partners.

We create collections of furniture, accessories and lighting, so you can create space to feel comfortably you.

Welcome home.



[FERMLIVING.COM](https://www.fermliving.com)